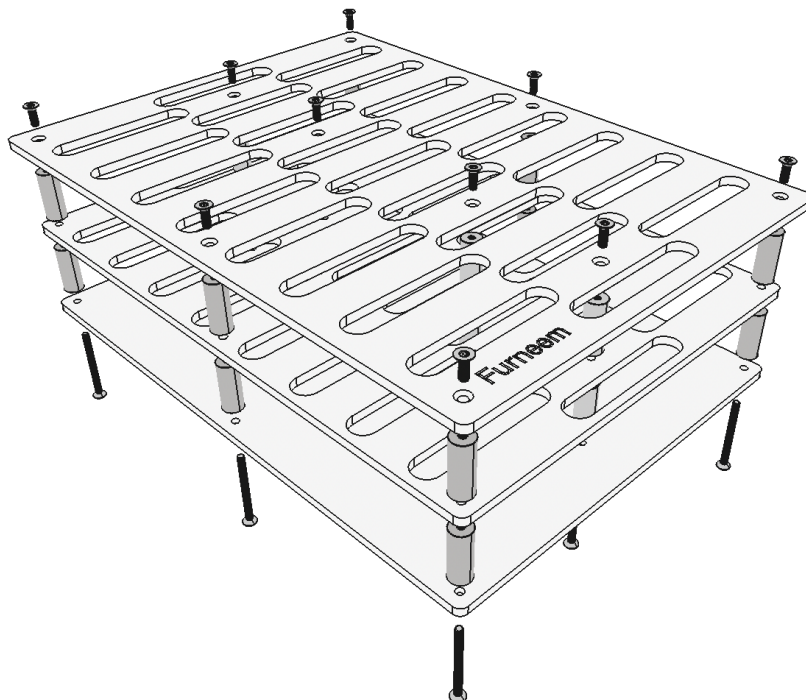
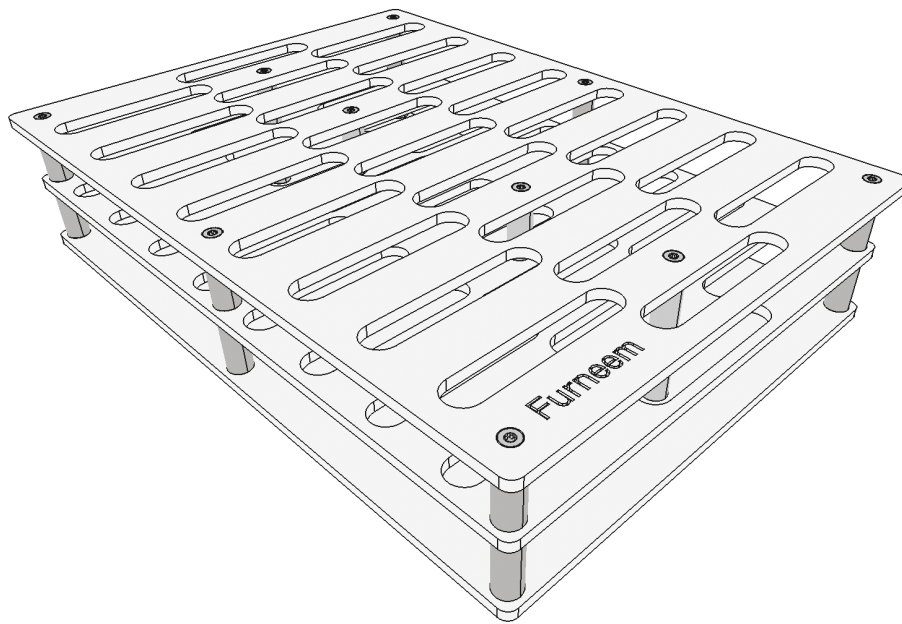


# Furneem

Cellphone Holder

FNH011

protected design: euipo nr.

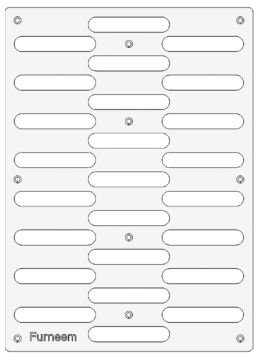


Tools needed for assembling (not included):

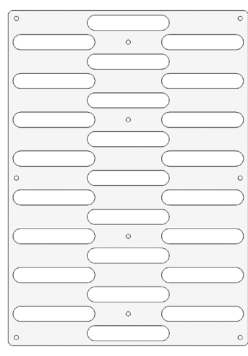


or

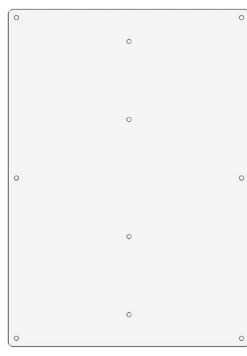




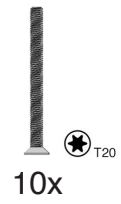
1x



1x



1x



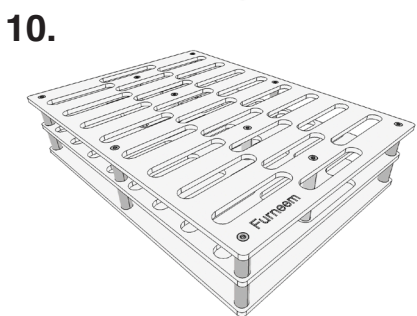
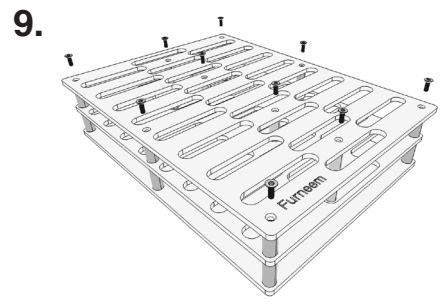
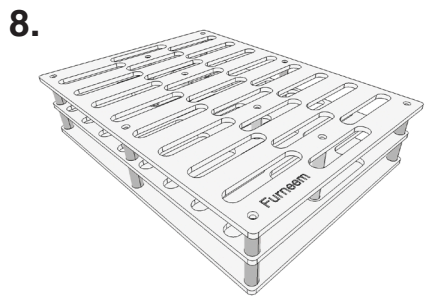
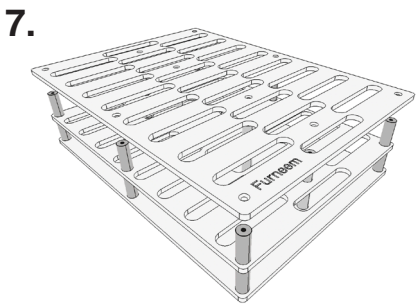
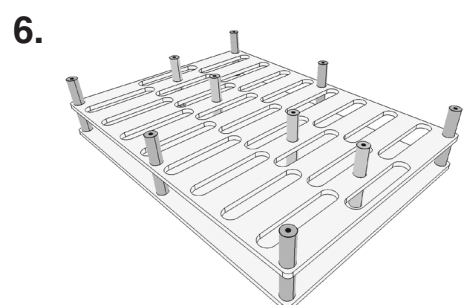
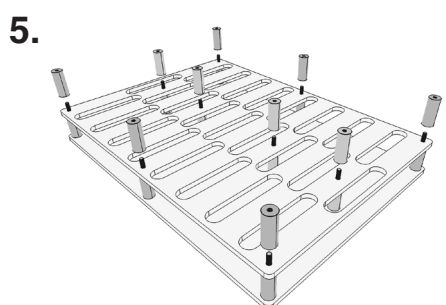
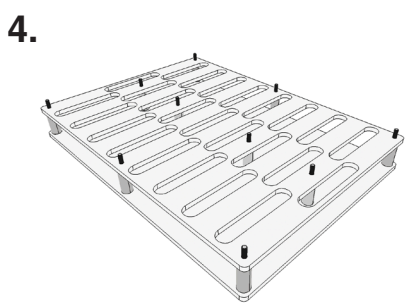
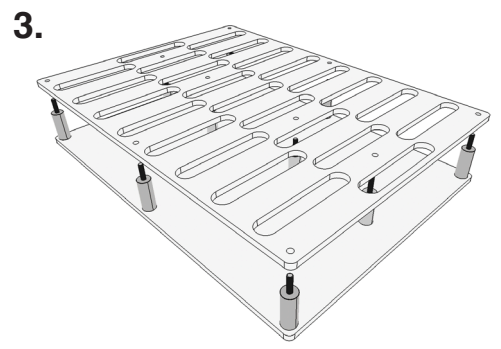
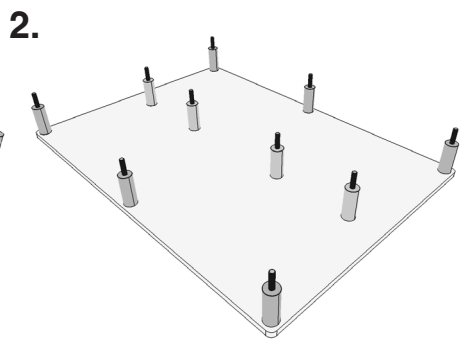
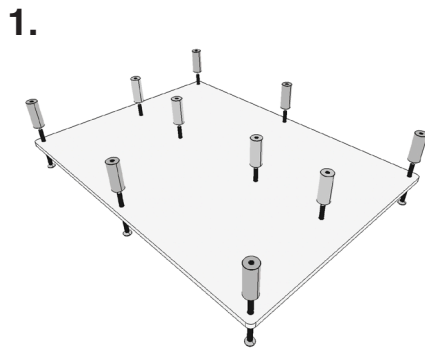
10x



10x



20x



Fits with:  
Stacking container RAKO 400x300x117 and 400x300x169  
[www.utzgroup.com](http://www.utzgroup.com)

